



**SCHROFF**

Project - 0 item(s)

**MY PROJECT LIST**

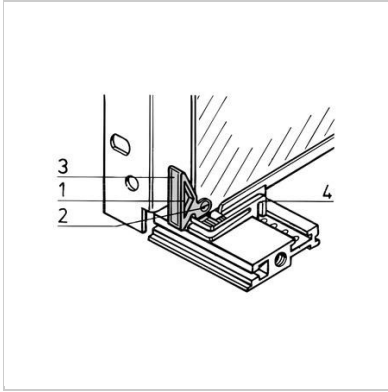
- PRODUCTS**
- APPLICATIONS**
- INDUSTRIES**
- NEW PRODUCTS**
- CONFIGURATORS**
- Products ▾
- Search
- 

Home > PCB handle B1



# PCB handle B1

**SCHROFF**



**Catalog Number: 60817-067**

[Back To Product](#)

- Can be labelled
- Extraction function only
- For bolting or riveting to PCBs
- For bolting to 1.6 mm PCBs (top and bottom)

**Standard pack quantity (SPQ):**

Please take into consideration that deliveries may be carried out in the stated SPQs (SPQ, e.g. 5 pieces, 10 pieces, 50 pieces, etc.). Differing order quantities (e.g. 2 pieces) may be changed to the next possible delivery quantity = Standard Pack Quantity.

**Description:**

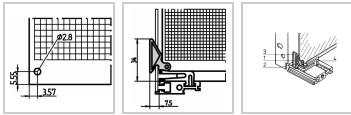
Guide Rails & Accessories

**Product family:**

PCB Accessories



Other Views



**Select product specifications before modifying or adding to project list or requesting a quote.**

Configuration-defining

Bolt-on

[Clear Selection](#)

Quantity

**Add Item to Project List +**

## Technical Data

<b>Qty</b>	1 piece (SPQ 10)
<b>Delivery is exclusively made in Standard Pack Quantity (SPQ)</b>	10
<b>Color</b>	red
<b>Material</b>	PBT, UL 94 V-0
<b>Other</b>	Bolt On

## Accessories

	Identification Strip (B1)	21100-569	<b>Add Item to Project List +</b>
	Countersunk screw, cross recess (M2.5x6), steel nickel plated, Pu 100 pcs	21100-515	<b>Add Item to Project List +</b>

---

**EXPLORE**

[About Us](#)  
[Services & Capabilities](#)  
[News & Events](#)  
[Newsletter Subscriptions](#)  
[Strategic Partnerships](#)  
[Investor Relations](#)

**CONTACT**

[Customer Service](#)  
[Find a Sales Office or Distributor](#)  
[Global Locations](#)  
[Product Compliance & Certifications](#)  
[Partner Login](#)

**DOWNLOAD**

[Download Center](#)  
[Reference Projects](#)  
[Videos](#)  
[Product Configurators](#)  
[Warranties and Terms of Sale & Procurement](#)

© 2018 nVent. All rights reserved | [Privacy Policy](#) | [Terms of Use](#) | [Cookie Policy](#) | [Imprint](#) | [Site Map](#)

## Connect With Us

